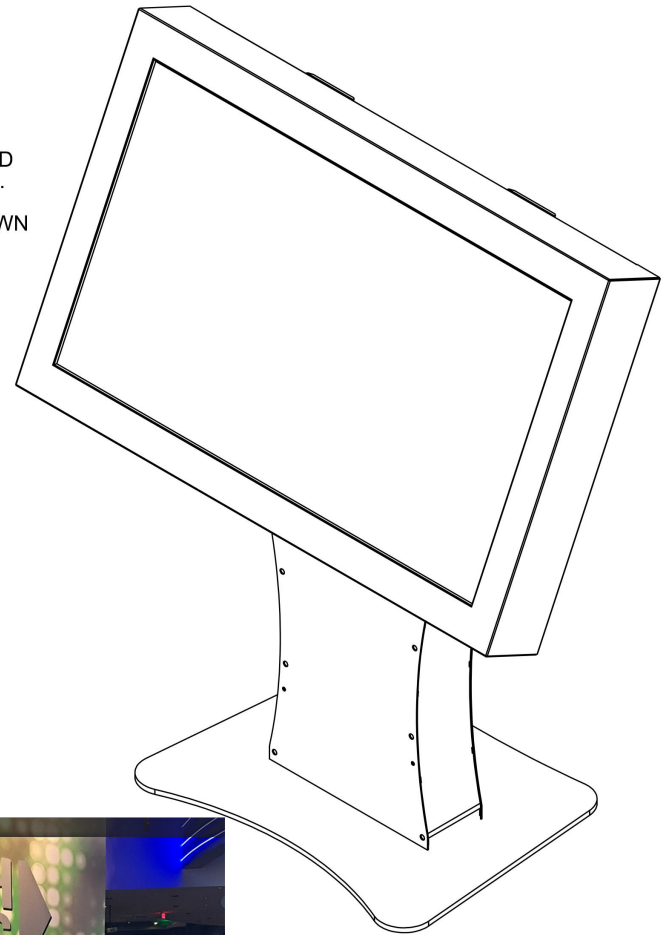
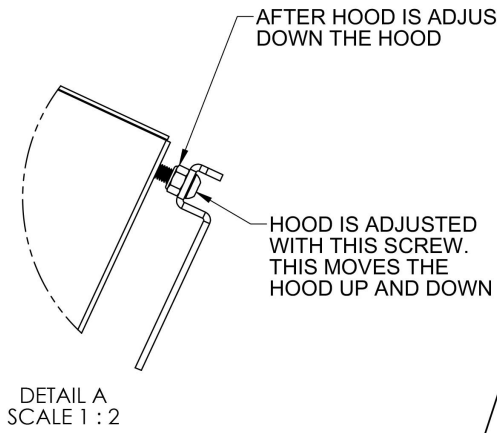
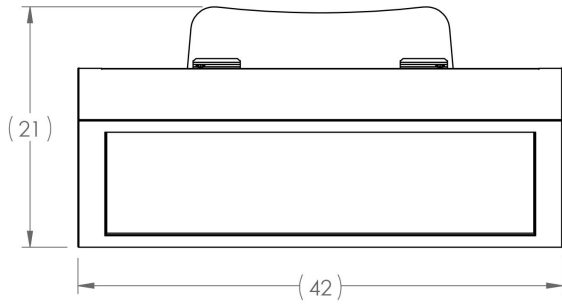


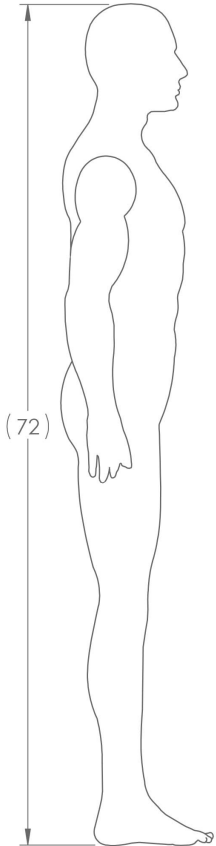
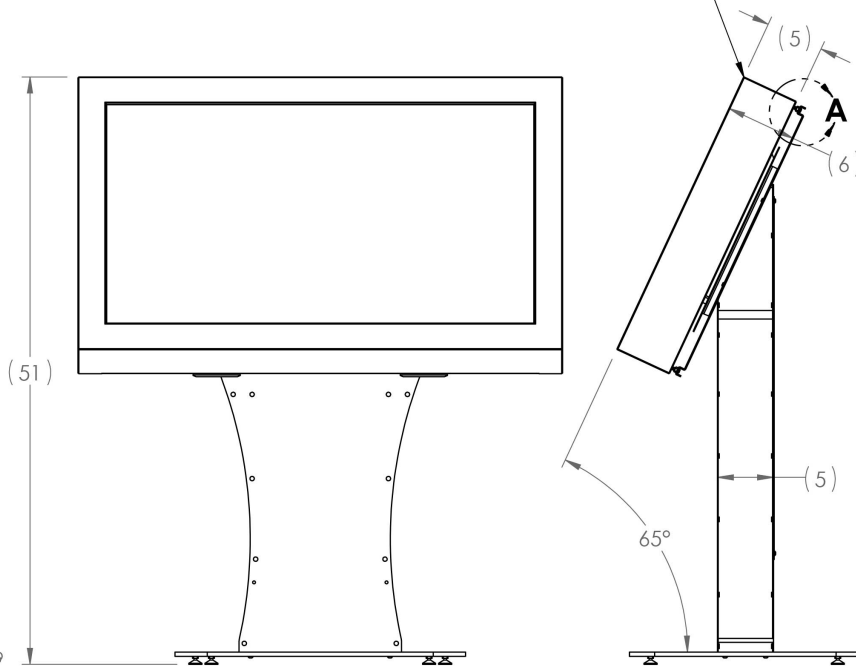
KIL542-CTM02

DISPLAY NOTE: THIS HOOD WILL FIT

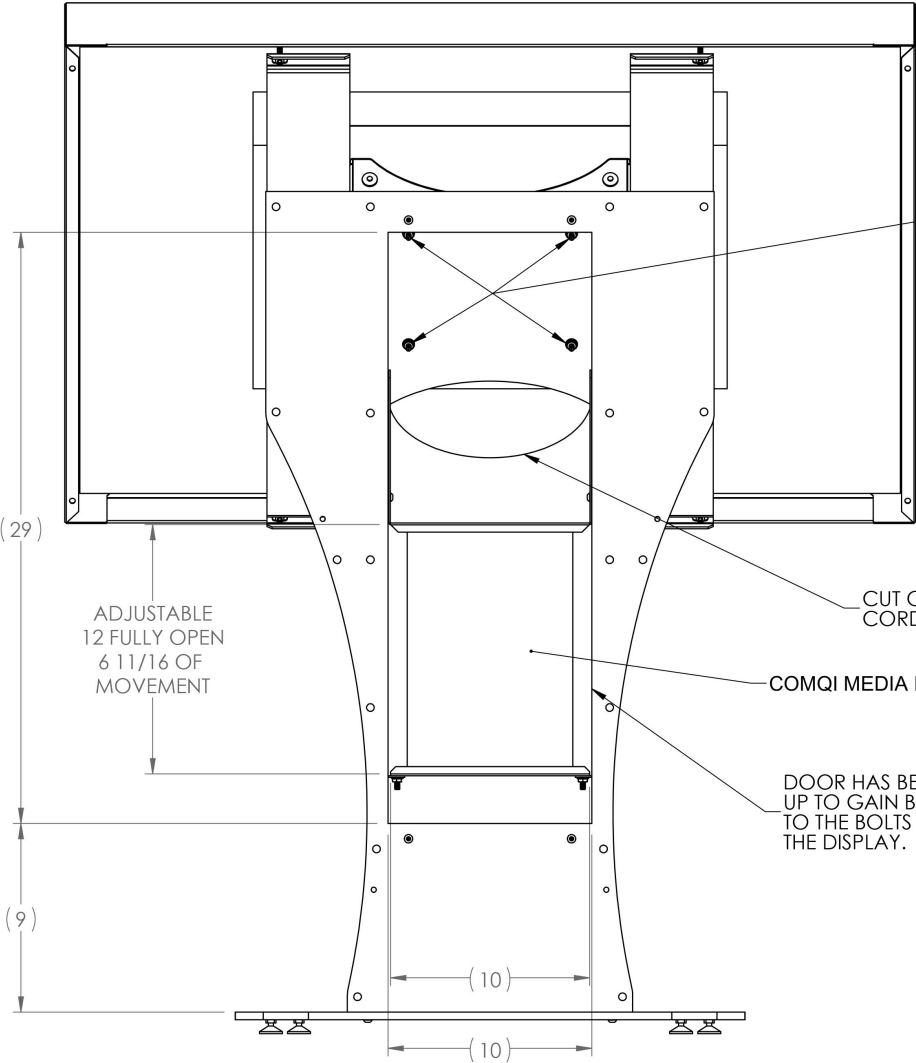
NEC V421
NEC V422
NEC V423
ELO ET4201L



HOOD HAS BEEN ADJUSTED BACK TO THE OLD THICKNESS



NOTE: BACK COVER IS HIDDEN



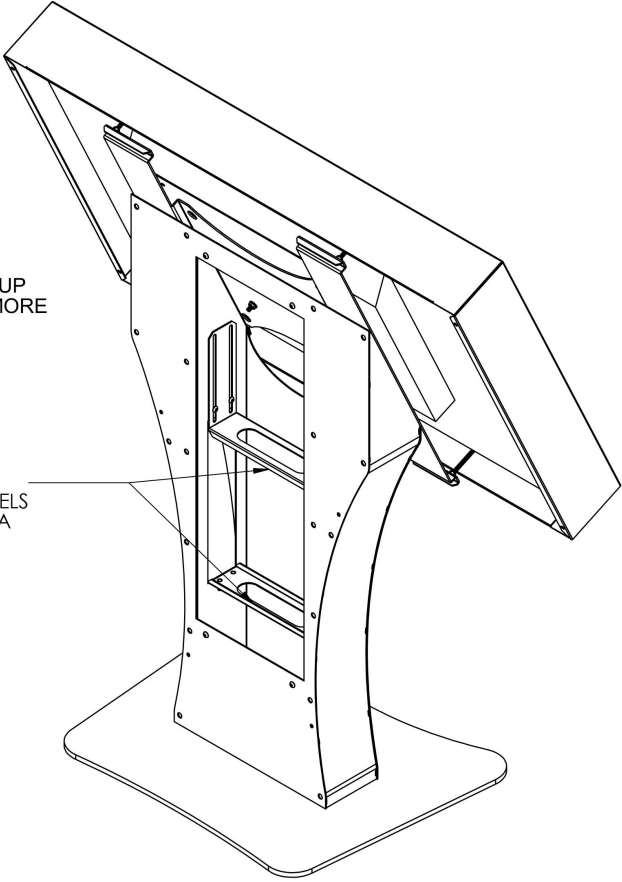
WITH MOVING THE BACK CUT OUT UP
THE MOUNTING BOLTS ARE NOW MORE
ACCESSIBLE

BRACKETS HAVE
BEEN ADJUSTED TO
BE MORE UNIVERSAL
BOTH TOP AND BOTTOM
LOOK LIKE U OR C CHANNELS
AND SANDWICH THE MEDIA
PLAYER TO HOLD IT

CUT OUT FOR
CORD ACCESS

COMQI MEDIA PLAYER SHOWN

DOOR HAS BEEN MOVED
UP TO GAIN BETTER ACCESS
TO THE BOLTS THAT MOUNT
THE DISPLAY.



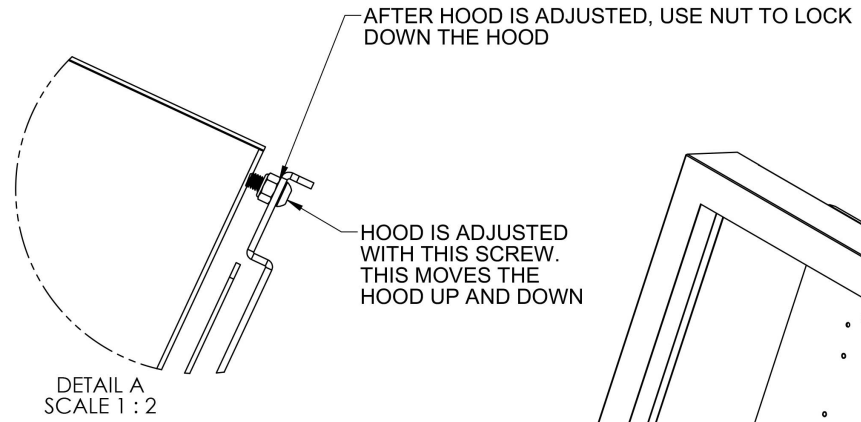
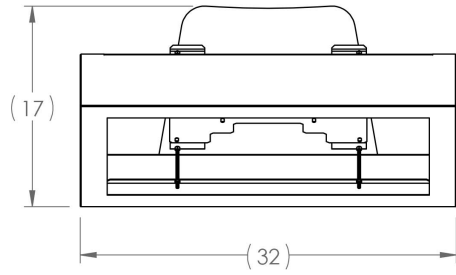
KIL532-CTM02

DISPLAY NOTE: THIS HOOD WILL FIT

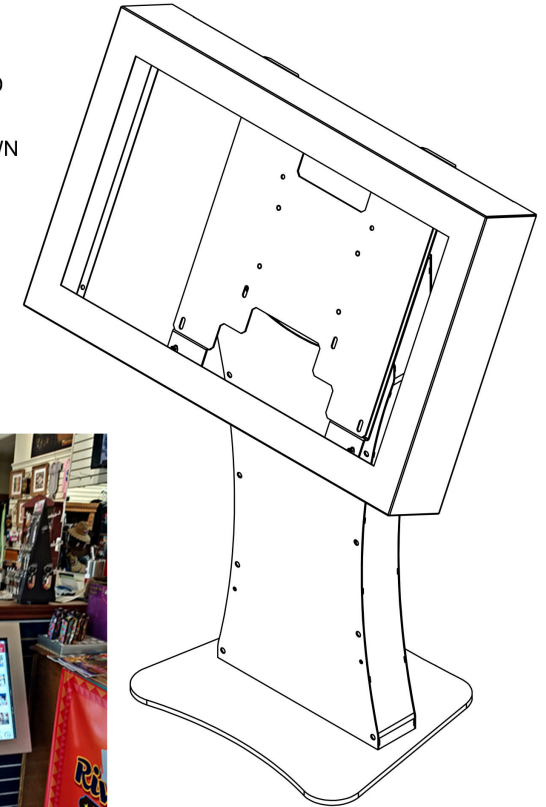
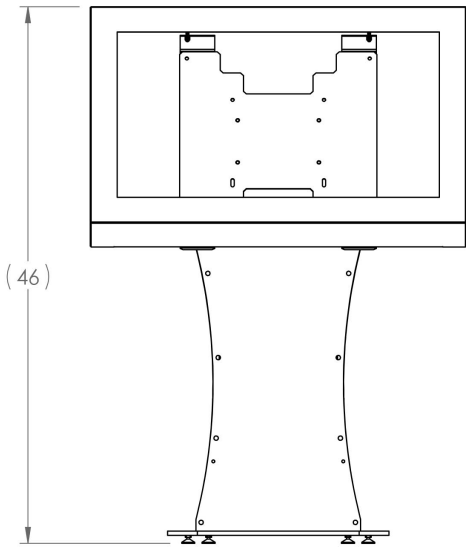
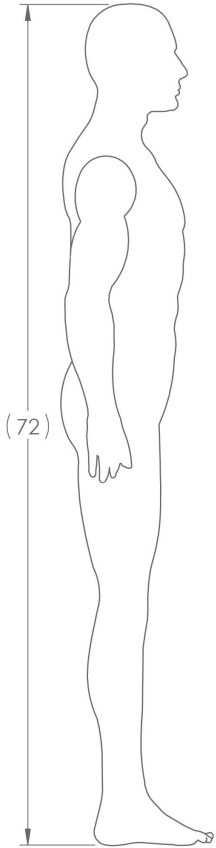
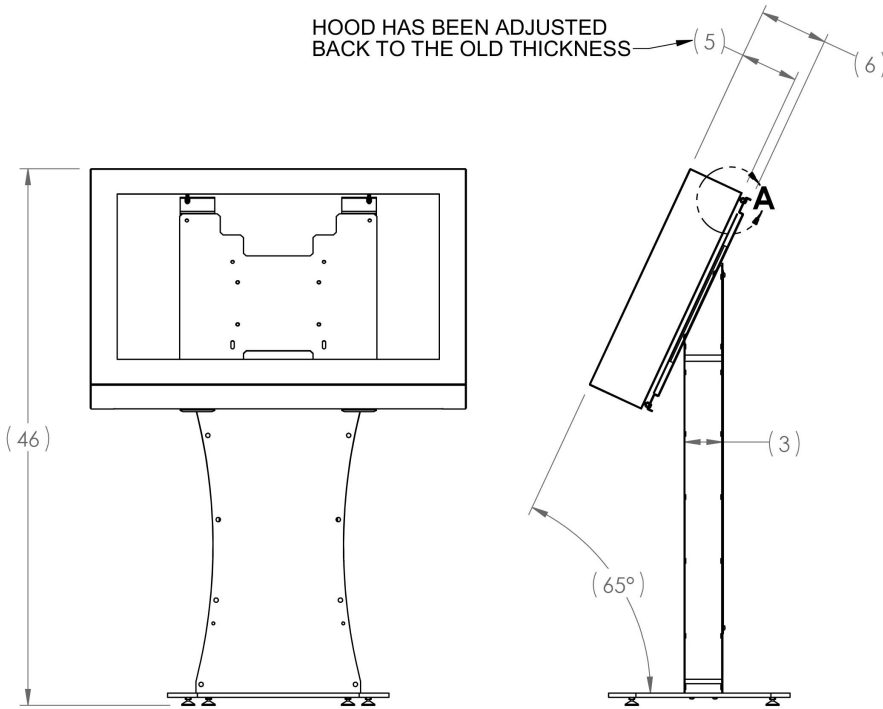
NEC V321

NEC V322

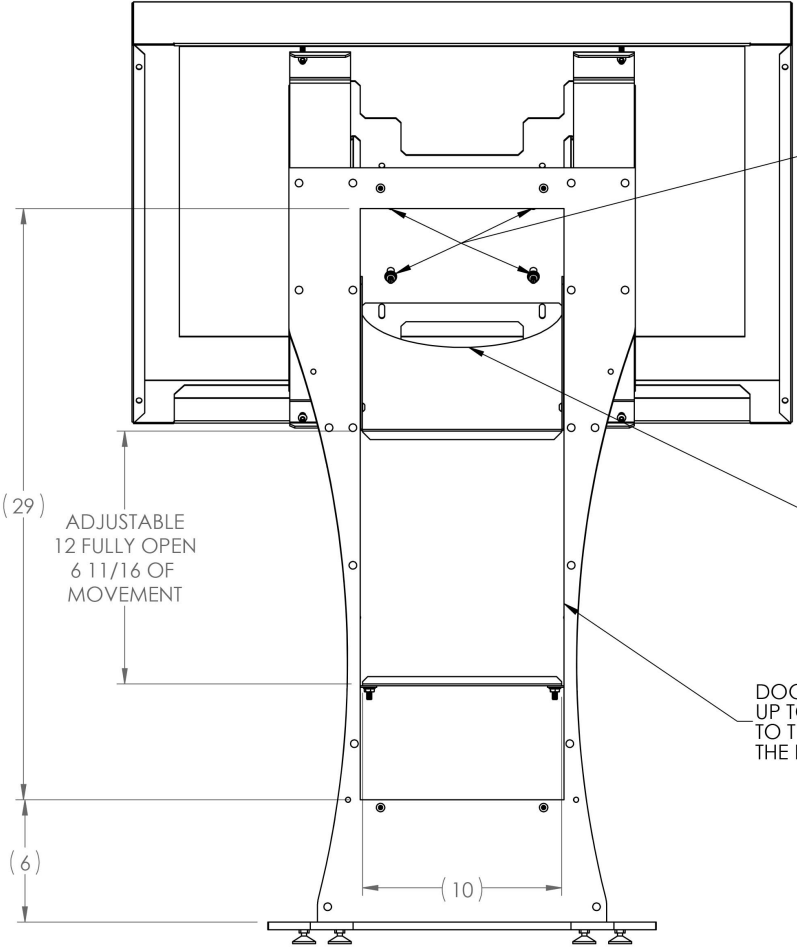
ELO ET3201L



HOOD HAS BEEN ADJUSTED
BACK TO THE OLD THICKNESS



NOTE: BACK COVER IS HIDDEN

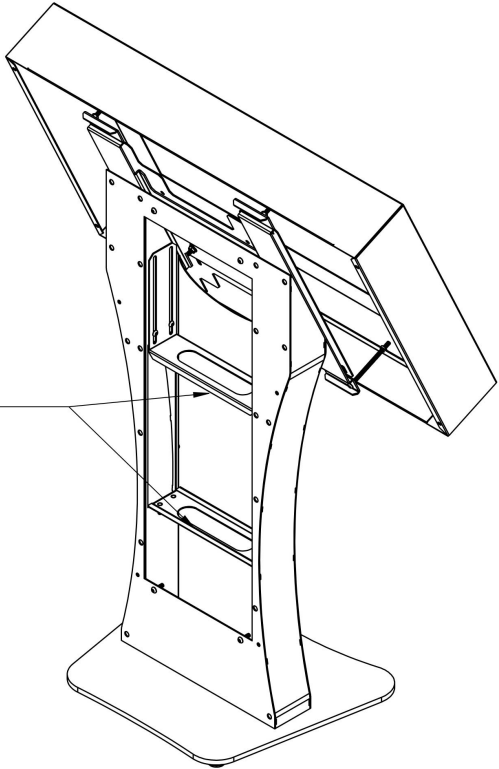


WITH MOVING THE BACK CUT OUT UP
THE MOUNTING BOLTS ARE NOW MORE
ACCESSIBLE

BRACKETS HAVE
BEEN ADJUSTED TO
BE MORE UNIVERSAL
BOTH TOP AND BOTTOM
LOOK LIKE U OR C CHANNELS
AND SANDWICH THE MEDIA
PLAYER TO HOLD IT

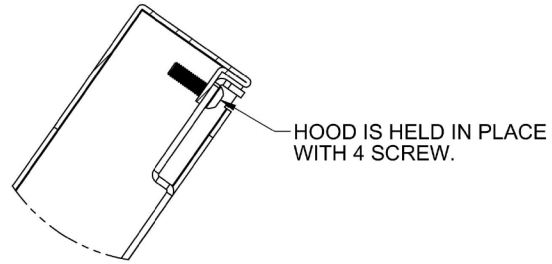
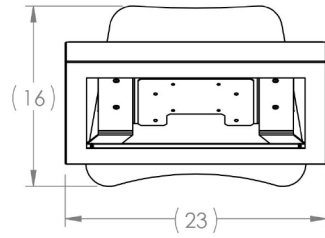
CUT OUT FOR
CORD ACCESS

DOOR HAS BEEN MOVED
UP TO GAIN BETTER ACCESS
TO THE BOLTS THAT MOUNT
THE DISPLAY.

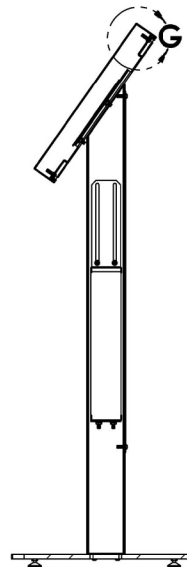
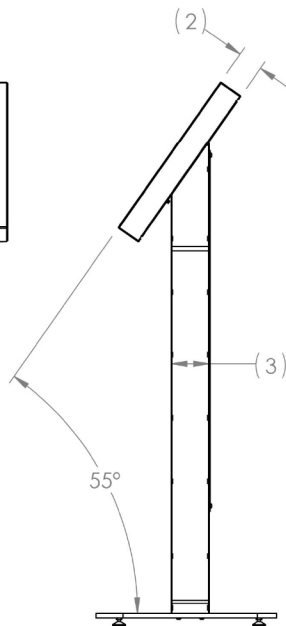
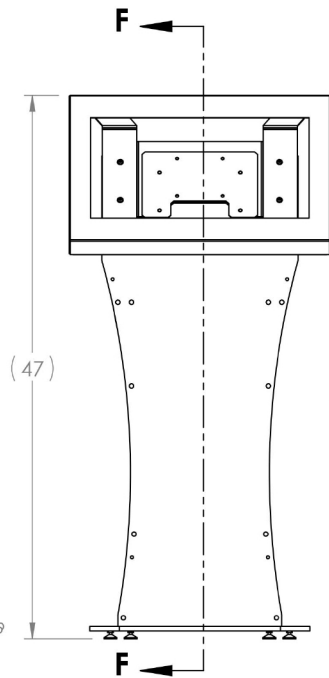
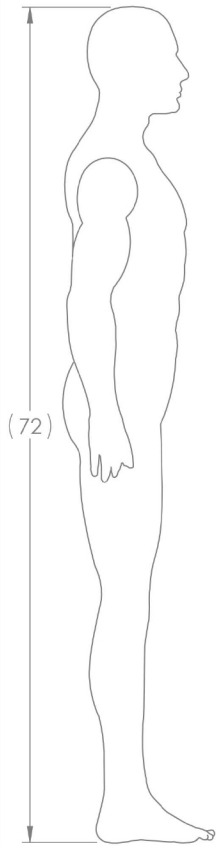


KIL519-CTM02

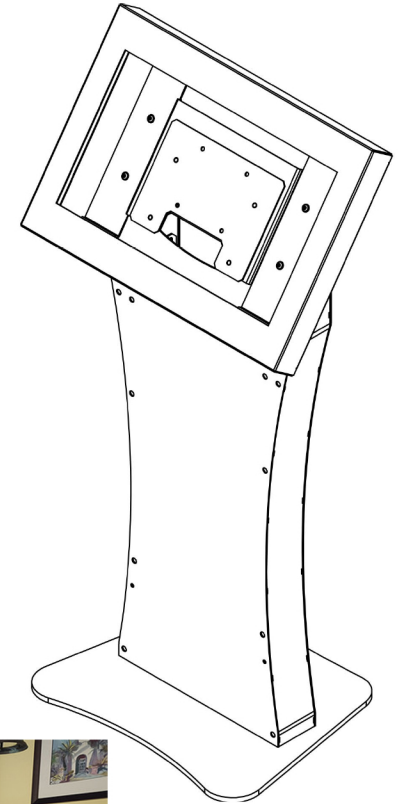
DISPLAY NOTE: THIS HOOD WILL FIT
ELO 22



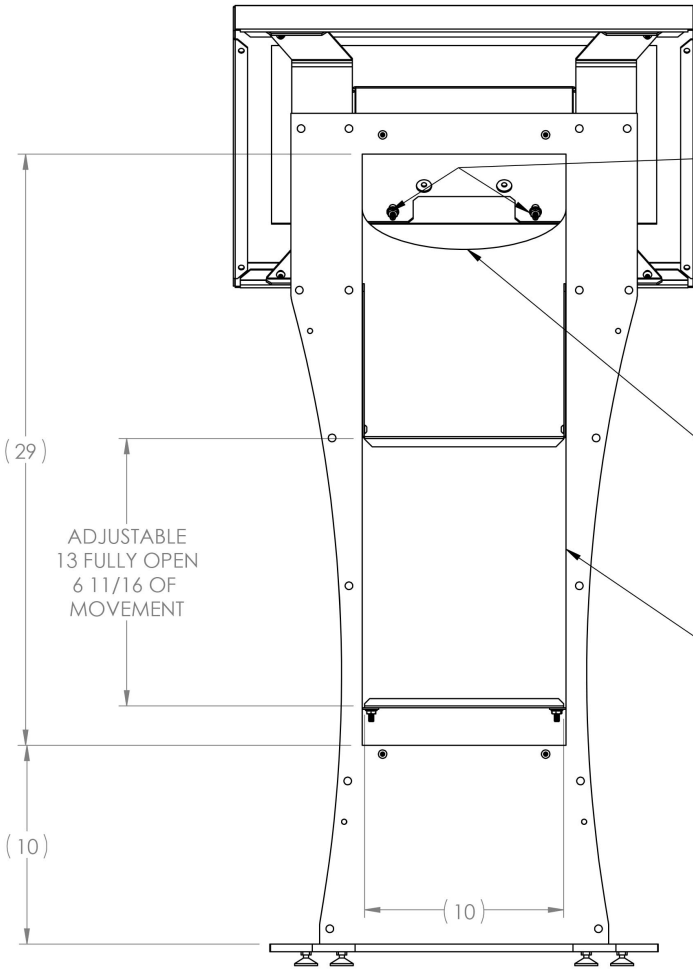
DETAIL G
SCALE 1 : 2



SECTION F-F



NOTE: BACK COVER IS HIDDEN

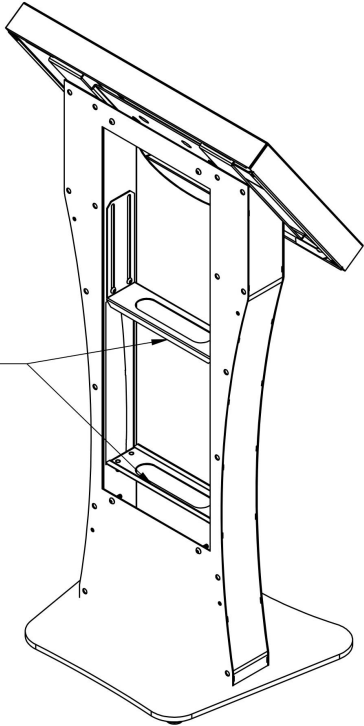


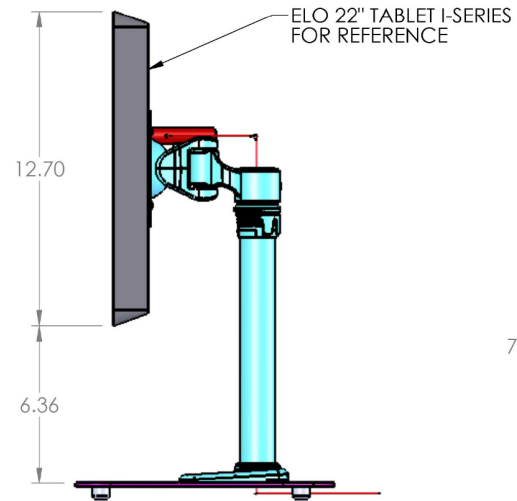
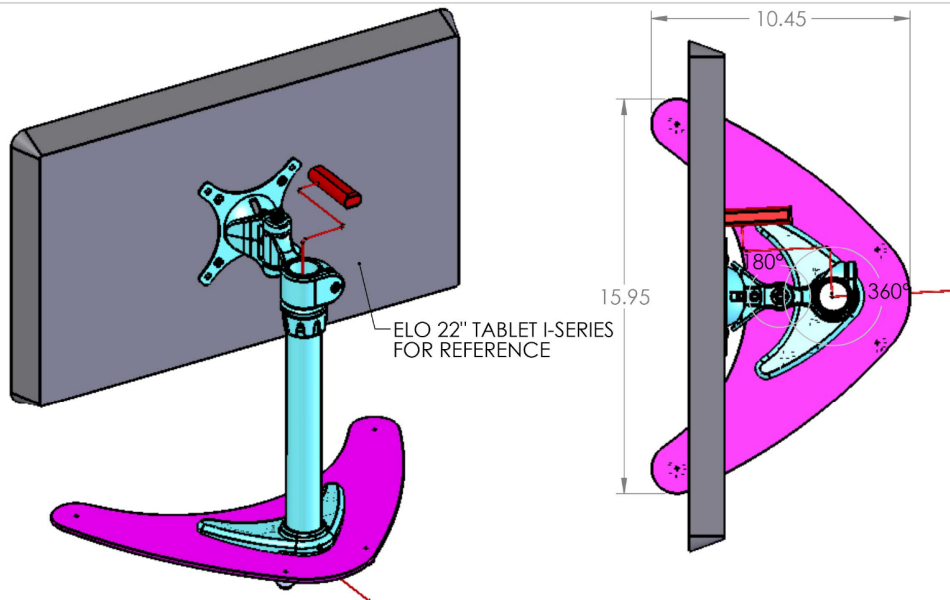
WITH MOVING THE BACK CUT OUT UP
THE MOUNTING BOLTS ARE NOW MORE
ACCESSIBLE

BRACKETS HAVE
BEEN ADJUSTED TO
BE MORE UNIVERSAL
BOTH TOP AND BOTTOM
LOOK LIKE U OR C CHANNELS
AND SANDWICH THE MEDIA
PLAYER TO HOLD IT

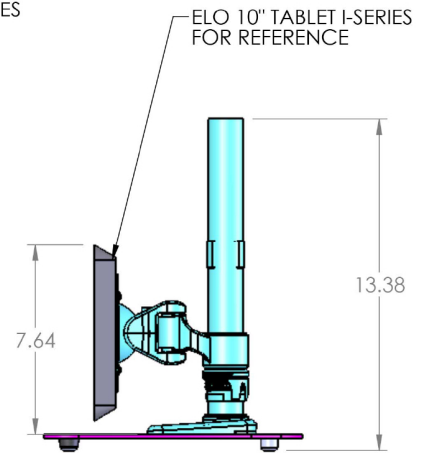
CUT OUT FOR
CORD ACCESS

DOOR HAS BEEN MOVED
UP TO GAIN BETTER ACCESS
TO THE BOLTS THAT MOUNT
THE DISPLAY.





TALLEST POSITION



SHORTEST POSITION

